

Network Video Recorder

NVR304-S Series



Key Features

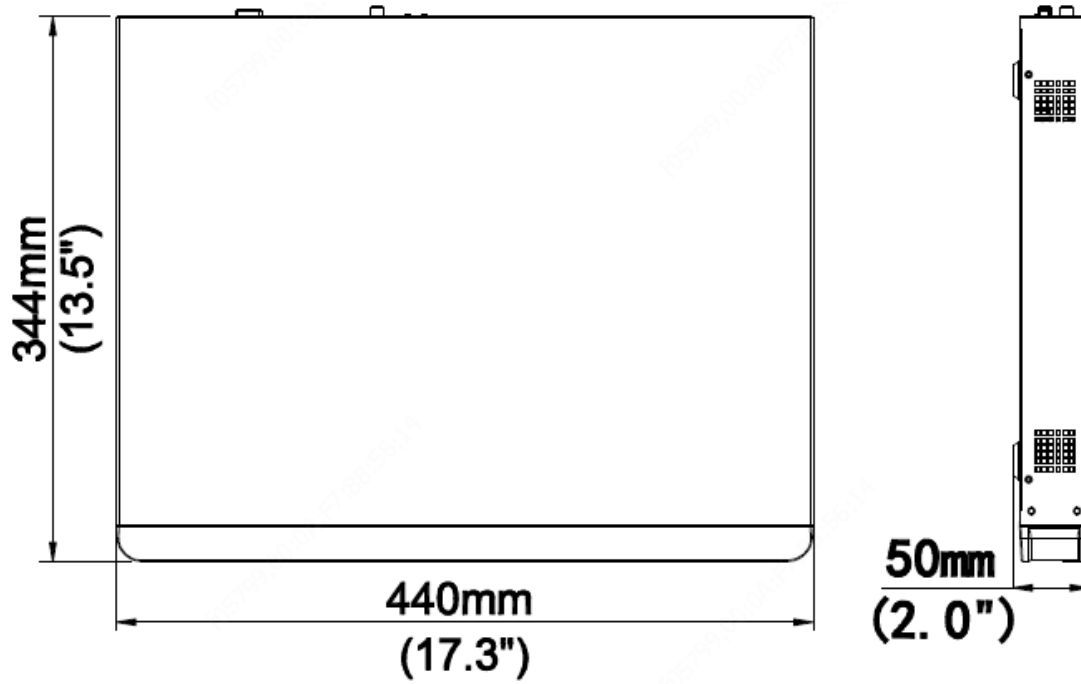
- Support Ultra265/H.265/H.264 video formats
- 16/32-channel input
- Support mainstream cameras of ONVIF conformance(Profile S, Profile G, Profile T) and RTSP protocols
- HDMI and VGA simultaneous output
- Up to 8 Megapixels resolution recording
- Accurate retrieval, instant playback
- 4 SATA HDDs, up to 8TB for each HDD
- ANR technology to enhance the storage reliability when the network is disconnected
- Support cloud upgrade

Specifications

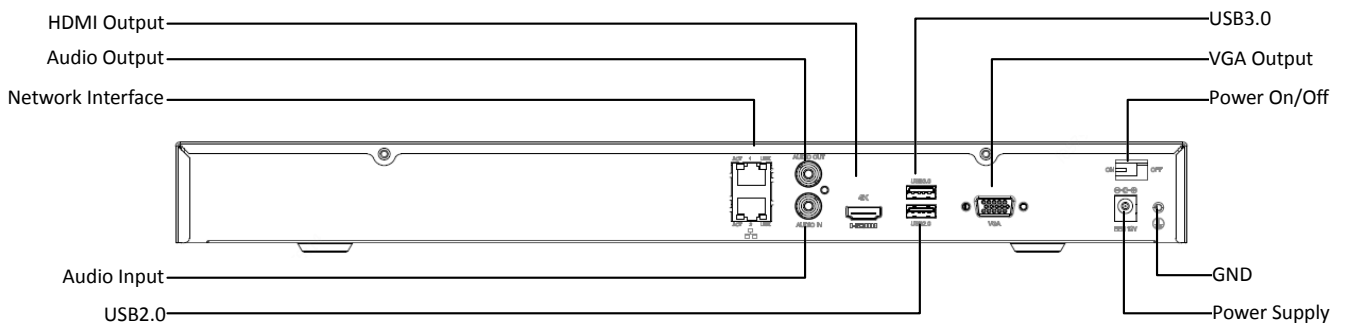
Model	NVR304-16S	NVR304-32S
Video/Audio Input		
IP Video Input	16-ch	32-ch
Two-way Audio Input	1-ch, RCA	
Network		
Incoming bandwidth	160Mbps	
Outgoing bandwidth	64Mbps	64Mbps
Remote Users	128	
Protocols	TCP/IP, P2P, UPnP, NTP, DHCP, PPPoE, HTTP, HTTPS, DNS, DDNS, SNMP, SMTP	
Browser	IE(IE10/11) for Windows Firefox (version 52.0 and above) for Windows Chrome(version 45 and above) for Windows Edge(version 79 and above) for Windows	
Video/Audio Output		
HDMI/VGA Output	HDMI: 4K (3840x2160) @30, 1920x1080p@60, 1920x1080p@50, 1600x1200@60, 1280x1024@60, 1280x720@60, 1024x768@60 VGA: 1920x1080p@60, 1920x1080p@50, 1280x1024@60, 1280x720@60, 1024x768@60	
Audio Output	1-ch, RCA	
Audio Compression	G.711A, G.711U	
Recording Resolution	8MP/5MP/4MP/3MP/1080p/960p/720p/960H/D1/2CIF/CIF	
Synchronous Playback	16ch	32-ch
Liveview display	1/4/6/8/9/16	1/4/6/8/9/16/25/36
Corridor Mode Screen	3/4/5/7/9/10/12/16	3/4/5/7/9/10/12/16/32
Snapshot		
FTP/Schedule/Event Snapshot	4-ch snapshot, up to D1 resolution	
Decoding		
Decoding format	Ultra 265/H.265/H.264	
Live view/ Playback	8MP/5MP/4MP/3MP/1080p/960p/960H/720p/D1/2CIF/CIF	
Capability	2 x 4K@30, 3 x 5MP@30, 4 x 4MP@30, 5 x 3MP@30, 8 x 1080p@30, 16 x 720p@30	2 x 4K@30, 3 x 5MP@30, 4 x 4MP@30, 5 x 3MP@30, 8 x 1080p@30, 16 x 720p@30,32 x D1
Hard Disk		
SATA	4 SATA interfaces	
Capacity	Up to 8TB for each disk (The maximum HDD capacity varies with environment temperature)	
Smart		
VCA Detection by Camera	Intrusion Detection, Cross Line Detection, Enter Area, Leave Area, Defocus Detection, Scene Change Detection, Object Left Behind, Object Removed, Auto Tracking	
VCA Search	Behavior Search	

People counting	People Flow Counting, Crowd Density Monitoring
Smart Intrusion Prevention (SIP) by Camera	8-ch
General Alarm	
General Alarm	Motion, Tampering, Human Body Detection, Video Loss, Alarm Input, Audio Detection
Alert Alarm	IP Conflict, Network Disconnected, Disk Offline , Disk Abnormal, Illegal Access, Hard Disk Space Low, Hard Disk Full, Recording/Snapshot Abnormal
External Interface	
Network Interface	2 RJ-45 10M/100M/1000M self-adaptive Ethernet Interfaces
USB Interface	Rear panel: 1 x USB2.0, 1 x USB3.0 Front panel: 1 x USB2.0
RS232	NA
RS485	NA
Alarm In	NA
Alarm Out	NA
General	
Power Supply	12V DC Power Consumption: ≤ 15W(without HDD)
Working Environment	-10°C ~ + 55°C (+14°F ~ +131°F), Humidity ≤ 90% RH(non-condensing)
Dimensions (W×D×H)	440mm × 344mm ×50mm (17.3" × 13.5" ×2.0")
Weight (without HDD)	≤ 3.15 Kg (6.94 lb)
Certification	
Certification	CE, FCC, UL, RoHS, WEEE
CE	EN 55032: 2015, EN 61000-3-3: 2013, EN IEC 61000-3-2: 2019, EN 55035: 2017
FCC	Part15 Subpart B, ANSI C63.4

Dimensions



Rear Panel



Zhejiang Uniview Technologies Co., Ltd.

Building No.10, Wanlun Science Park, Jiangling Road 88, Binjiang District, Hangzhou, Zhejiang, China

Email: overseasbusiness@uniview.com; globalsupport@uniview.com

<http://www.uniview.com>

©2019 -2022 Zhejiang Uniview Technologies Co.,Ltd. All rights reserved.

* Product specifications and availability are subject to change without notice.