

# Network Video Recorder

## NVR302-E2 Series



### Key Features

- Support Ultra H.265/H.265/H.264 video formats
- 9/16/32-channel input
- Supports mainstream cameras of ONVIF conformance(Profile S, Profile G, Profile T ) and RTSP protocols
- Support 1-ch HDMI, 1-ch VGA. HDMI up to 4K (3840x2160) resolution
- HDMI and VGA independent outputs provided
- Up to 12 Megapixels resolution recording
- 2 SATA HDDs, Up to 6TB for each HDD
- Various fisheye dewarping modes for live view and playback for both web interface and GUI
- ANR technology to enhance the storage reliability when the network is disconnected
- Support cloud upgrade

## Specifications

Model	NVR302-09E2	NVR302-16E2	NVR302-32E2
<b>Video/Audio Input</b>			
IP Video Input	9-ch	16-ch	32-ch
Two-way Audio Input	1-ch, RCA		
<b>Network</b>			
Incoming Bandwidth	256Mbps		
Outgoing Bandwidth	256Mbps		
Remote Users	128		
Protocols	TCP/IP, P2P, UPnP, NTP, DHCP, PPPoE, HTTP, HTTPS, DNS, DDNS, SNMP, SMTP, NFS		
<b>Video/Audio Output</b>			
HDMI/VGA Output	VGA: 1920x1080p/60Hz, 1920x1080p/50Hz, 1280x1024/60Hz, 1280x720/60Hz, 1024x768/60Hz HDMI: 4K (3840x2160)/60Hz, 4K (3840x2160)/30Hz, 1920x1080p/60Hz, 1920x1080p/50Hz, 1600x1200/60Hz, 1280x1024/60Hz, 1280x720/60Hz, 1024x768/60Hz		
Recording Resolution	12MP/8MP/6MP/5MP/4MP/3MP/1080p/960p/720p/D1/2CIF/CIF		
Audio Output	1-ch, RCA		
Audio Compression	G.711A, G.711U		
Synchronous Playback	16-ch		
Liveview display	1/4/6/8/9	1/4/6/8/9/16	1/4/6/8/9/16/25/36
Corridor Mode Screen	3/4/5/7/9	3/4/5/7/9/10/12/16	3/4/5/7/9/10/12/16/32
<b>Snapshot</b>			
<b>Decoding</b>			
Decoding format	Ultra 265, H.265, H.264		
Live view/Playback	12MP/8MP/6MP/5MP/4MP/3MP/1080p/960p/720p/D1/2CIF/CIF		
Capability	1 x 12MP@30, 2 x 4K@30, 5 x 4MP@30, 9 x 1080P@30	1 x 12MP@30, 2 x 4K@30, 5 x 4MP@30, 10 x 1080P@30, 16 x 720P@30	1 x 12MP@30, 2 x 4K@30, 5 x 4MP@30, 10 x 1080P@30, 22 x 720P@30, 32 x D1
<b>Hard Disk</b>			
SATA	2 SATA interfaces		
Capacity	up to 6TB for each HDD		
eSATA	NA		
Disk Group	Support		
<b>Smart</b>			
VCA Detection by Camera	Face detection, Face comparison, Intrusion detection, Cross line detection, Enter area, Leave area, Defocus detection, Scene change detection, Object left behind, Object removed, Auto tracking		
VCA Search	Face search, Face comparison search, Behavior search, Vehicle search		
People Counting	People Counting		
<b>General Alarm</b>			
General Alarm	Motion, tampering, human body detection, video loss, input alarm, audio detection		
Alert Alarm	IP Conflict, Network Disconnected, Disk offline, Disk Abnormal, Illegal Access, Hard disk space low, Hard disk full, Recording/Snapshot Abnormal		

**External Interface**

Network Interface	2 RJ45 10M/100M/1000M self-adaptive Ethernet Interfaces
USB Interface	Front panel: 1 x USB2.0,Rear panel: 1 x USB2.0 1 x USB3.0
RS232	NA
RS485	1
Alarm In	8-ch
Alarm Out	2-ch

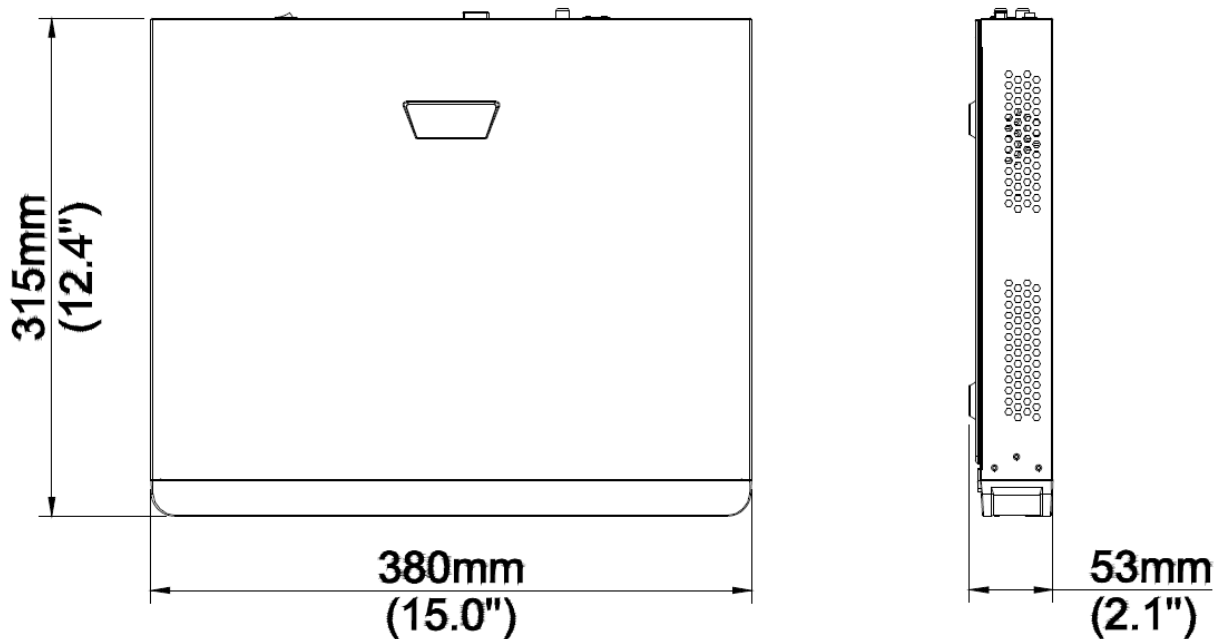
**General**

Power Supply	100~240 VAC Power Consumption: ≤ 20 W (without HDD)
Working Environment	-10°C~+ 55°C (+14°F~+131°F), Humidity ≤ 90% RH (non-condensing)
Dimensions (W×D×H)	380mm × 315mm × 53mm (15.0" × 12.4"× 2.1")
Weight (without HDD)	≤1Kg (2.2lb)

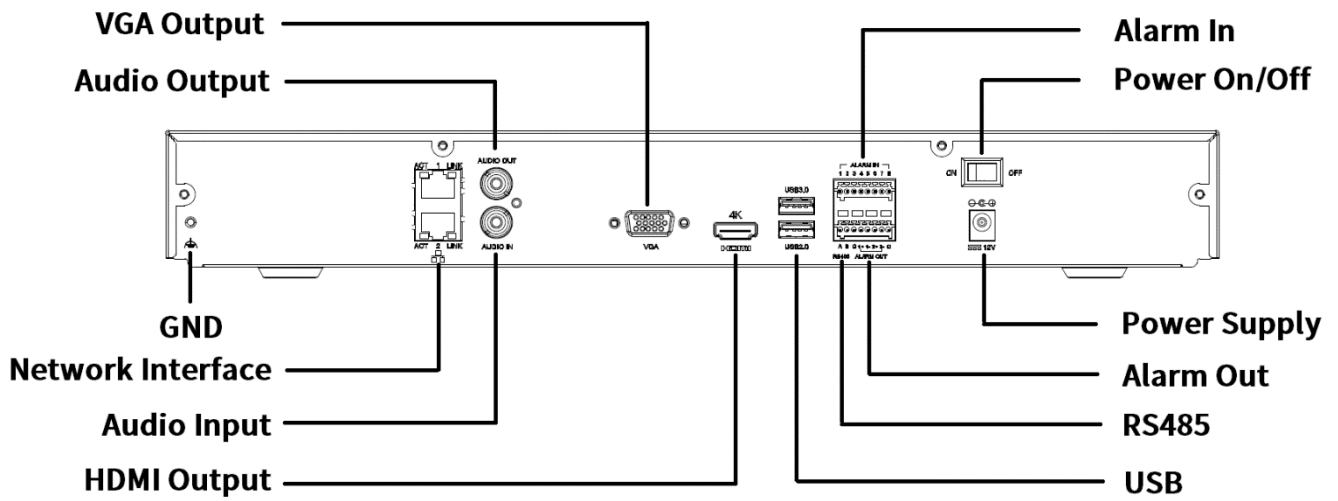
**Certification**

Certification	FCC CE UL
---------------	-----------------

## Dimensions



## Rear Panel



Zhejiang Uniview Technologies Co., Ltd.

Building No.10, Wanlun Science Park, Jiangling Road 88, Binjiang District, Hangzhou, Zhejiang, China

Email: [overseasbusiness@uniview.com](mailto:overseasbusiness@uniview.com); [globalsupport@uniview.com](mailto:globalsupport@uniview.com)

<http://www.uniview.com>

©2021 Zhejiang Uniview Technologies Co., Ltd. All rights reserved.

\* Product specifications and availability are subject to change without notice.