

# 2MP LightHunter IR Network PTZ Camera

IPC6312LR-AX4-VG



## Key Features



High quality image with 2MP, 1/2.8"CMOS sensor

Ultra 265, H.265, H.264, MJPEG

Intelligent perimeter protection, include cross line, intrusion, enter area, leave area detection

Based on target classification, smart intrusion prevention significantly reduce false alarm caused by leaves, birds and lights etc., accurately focus on human and, motor vehicle and non-motor vehicle

Intelligent face capture

LightHunter technology ensures ultra-high image quality in low illumination environment

120dB true WDR technology enables clear image in strong light scene

Built-in Mic

Built-in Speaker

Smart IR, Up to 50 m (164 ft) IR

Supports 256 G Micro SD card

IP66 protection

Support PoE power supply

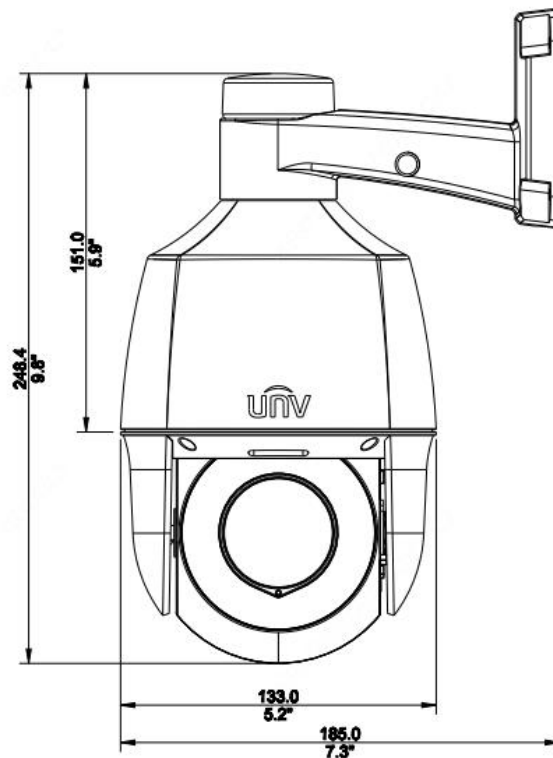
## Specifications

	IPC6312LR-AX4-VG				
<b>Camera</b>					
Sensor	1/2.8" progressive scan, 2.0 megapixel, CMOS				
Lens	2.8~12mm, AF automatic focusing and motorized zoom lens				
DORI Distance	Lens	Detect(m)	Observe(m)	Recognize(m)	Identify(m)
	2.8mm	43.4	17.4	8.7	4.3
	12mm	186.2	74.5	37.2	18.6
Angle of View (H)	105.2° ~ 29.32°				
Angle of View (V)	52.6° ~ 16.38°				
Angle of View (O)	108.7° ~33.3°				
Shutter	Auto/Manual, shutter time: 1 s ~ 1/100000 s				
Minimum Illumination	Colour: 0.001Lux (F1.6, AGC ON) 0Lux with IR on				
Day/Night	IR-cut filter with auto switch (ICR)				
Digital noise reduction	2D/3D DNR				
S/N	>52 dB				
IR Range	UP to 50m (164ft)				
Wavelength	850nm				
IR On/Off Control	Auto/Manual				
WDR	120dB				
<b>Video</b>					
Video Compression	Ultra 265,H.265, H.264, MJPEG				
H.264 code profile	Baseline profile, Main Profile				
Frame Rate	Main Stream: 2MP (1920*1080), Max 30fps; 720P (1280*720), Max 30fps; Sub Stream: 720P (1280*720), Max 30fps; D1 (720*576), Max 30fps; 640*360,Max 30fps; 2CIF(704*288), Max 30fps; CIF(352*288), Max 30fps; Third Stream: D1 (720*576), Max 30fps; 640*360,Max 30fps; 2CIF(704*288), Max 30fps; CIF(352*288), Max 30fps;				
Video Bit Rate	128 Kbps~16 Mbps				
OSD	Up to 8 OSDs				
Privacy Mask	Up to 8 areas				
ROI	Up to 8 areas				
Motion Detection	Up to 4 areas				
<b>Image</b>					
White Balance	Auto/Outdoor/Fine Tune/Sodium Lamp/Locked/Auto2				
Digital noise reduction	2D/3D DNR				
Smart IR	Support				
Flip	Normal/Vertical/Horizontal/180°/90°Clockwise/90°Anti-clockwise				
Dewarping	N/A				
HLC	Supported				
BLC	Supported				
<b>Intelligent</b>					
Smart intrusion	Cross Line, Intrusion, Enter Area, Leave Area detection				

<b>Prevention</b>	
Face capture	Support
Auto Tracking	Support
<b>Events</b>	
Basic Detection	Motion detection, Tampering alarm, Audio Detection
General Function	Watermark, IP Address Filtering, Access Policy, ARP Protection, RTSP Authentication, User Authentication
<b>Audio</b>	
Audio Compression	G.711U, G.711A
Two-way Audio	Supported
Suppression	Supported
Sampling Rate	8 KHZ
<b>Storage</b>	
Edge Storage	Micro SD, up to 256 GB
Network Storage	ANR, NAS(NFS)
<b>Network</b>	
Protocols	IPv4, IGMP, ICMP, ARP, TCP, UDP, DHCP, PPPoE, RTP, RTSP, RTCP, DNS, DDNS, NTP, FTP, UPnP, HTTP, HTTPS, SMTP, 802.1x, SNMP, SSL
Compatible Integration	ONVIF(Profile S, Profile G, Profile T), API
Client	EZStation EZView EZLive
Web Browser	Plug-in required live view: IE9+, Chrome 41 and below, Firefox 52 and below
	Plug-in free live view: Chrome 57.0+, Firefox 58.0+, Edge 16+
<b>Pan &amp; Tilt</b>	
Pan Range	0° ~345°
Pan Speed	0.1° /s ~ 50° /s
	Preset speed: 50° /s
Tilt Range	-10~100°
Tilt Speed	0.1° ~ 40° /s
	Preset speed: 40° /s
Number of Presets	256
Patrol	Preset patrol, Route patrol
<b>Interface</b>	
Network	1 RJ45 10M/100M Base-TX Ethernet
Built-in Mic	Supported
Built-in Speaker	Supported
<b>Certifications</b>	
Certifications	CE: EN 60950-1 UL: UL60950-1 FCC: FCC Part 15
<b>General</b>	
Power	DC 12V ± 25%, PoE (IEEE802.3 at)
	Power consumption: Max 15 W
Dimensions (Ø x H)	Φ133mm*248.4mm (Φ5.2" x 9.8" )
Net Weight	0.84 kg (1.85lb)

Gross Weight	1.10 kg (2.42lb)
Material	Metal + Plastic
Working Environment	-20°C ~ 60°C (-4°F to 140°F), Humidity: ≤95% RH(non-condensing)
Storage Environment	-20°C ~ 60°C (-4°F to 140°F), Humidity: ≤95% RH(non-condensing)
Surge Protection	4KV
Ingress Protection	IP66
Reset Button	Supported

## Dimensions



## Accessories

TR-JB07-D-IN



TR-UP06-B-IN



TR-UP06-C-IN



TR-A01-IN



TR-CM06-A



**Zhejiang Uniview Technologies Co., Ltd.**

South Tower, Building 10, Wanlun Science Park, 88 Jiangling Road, Hangzhou, P.R.China 310051

Email: [overseasbusiness@uniview.com](mailto:overseasbusiness@uniview.com); [globalsupport@uniview.com](mailto:globalsupport@uniview.com)

<http://www.uniview.com>

©2020 Zhejiang Uniview Technologies Co., Ltd. All rights reserved.

\*Product specifications and availability are subject to change without notice.